
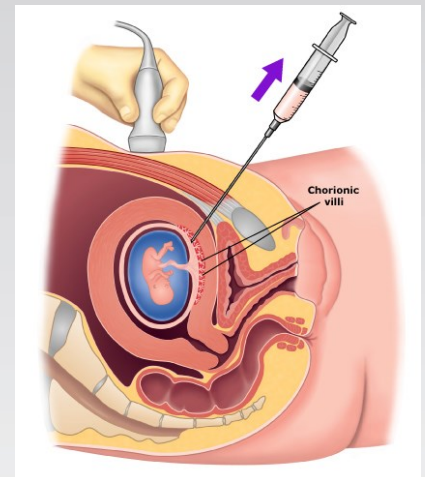




- ◆ **HIGH RESOLUTION ECHO BEVEL DESIGN** to give smoother, easier tissue penetration with pinpoint ultrasound definition of the needle tip in either amniocentesis and CVS.
- ◆ **NEEDLE MARKINGS** and depth marker help ensure correct positioning and minimise the risk of over insertion.
- ◆ **INTEGRAL TUBING SET** – purpose designed 10cm extension tube set is included in every pack for simple, safe attachment to the needle without the need to find costly off-the-shelf items which cannot offer guaranteed compatibility and security.
 
- ◆ **SECURE LUER LOCK FITTINGS** ensure the needle, extension set and syringes remain correctly and securely connected throughout
- ◆ **CE MARKED, PURPOSE DESIGNED DEVICE**, designed specifically for amniocentesis and transabdominal chorionic villus sampling which avoids the risks of inappropriate use of non specific generic devices.

The Rocket® Amniocentesis & CVS Set has been developed with the assistance of a leading UK Fetal Medicine Unit and is the result of a program of continuous product development and design improvement..

Indications: For the aspiration of fluid from the amniotic sac and transabdominal chorionic villus sampling for the detection of chromosomal abnormalities in the fetus.



Description	Order Code
Rocket® Amniocentesis & CVS Sampling Set echogenic amniocentesis needle with 1cm markings and 10cm luer lock extension tube set. Sterile for single use, packed in cartons of 10 sets	R57036